

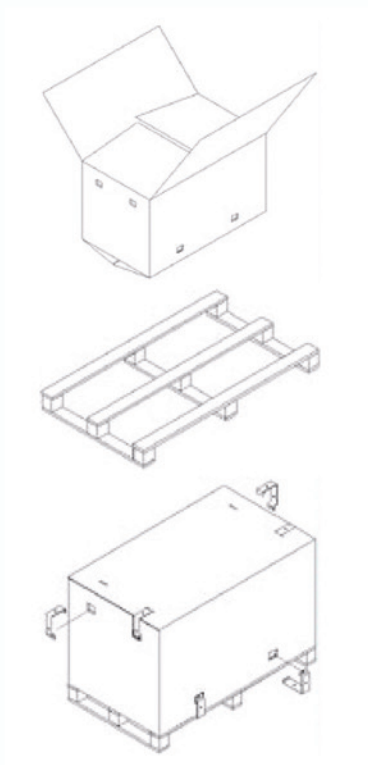
SYSTEM KRAFT

netp@cking

SYSTEM KRAFT Mod. LIGHT

The Light System is a range of two to three-layer corrugated cardboard boxes which are palletised and provide value for money in transport costs for companies that pay rates based on weight. The fastening system eliminates numerous problems such as the loss of tension in straps and/or the management and the risks of accidents caused by the riveter.

Built "on request" on the basis of size, content weight and the level of stacking, the packaging can also be supplied with specific certifications. The rational and flexible management also provides for complementary packaging, impact protection and protection from outside agents in a complete kit.



ADVANTAGES

- > **Straps, nails and screws are not necessary to secure the base;**
- > **Built upon request**
- > **The complete assembly of boxes is simple and instinctive**
- > **Reduction in the overall weight of the packaging**
- > **Management KIT with the possibility of combining additional elements**

For further information on the products, please contact:

Polibox s.r.l
 Via dell'Industria, 5
 04011 Aprilia (LT)
 Tel: +39.06.92730700 / +39.06.92731225
 Fax: +39.06.92730554
 Email: luisa.bortolotti@imballaggi.it